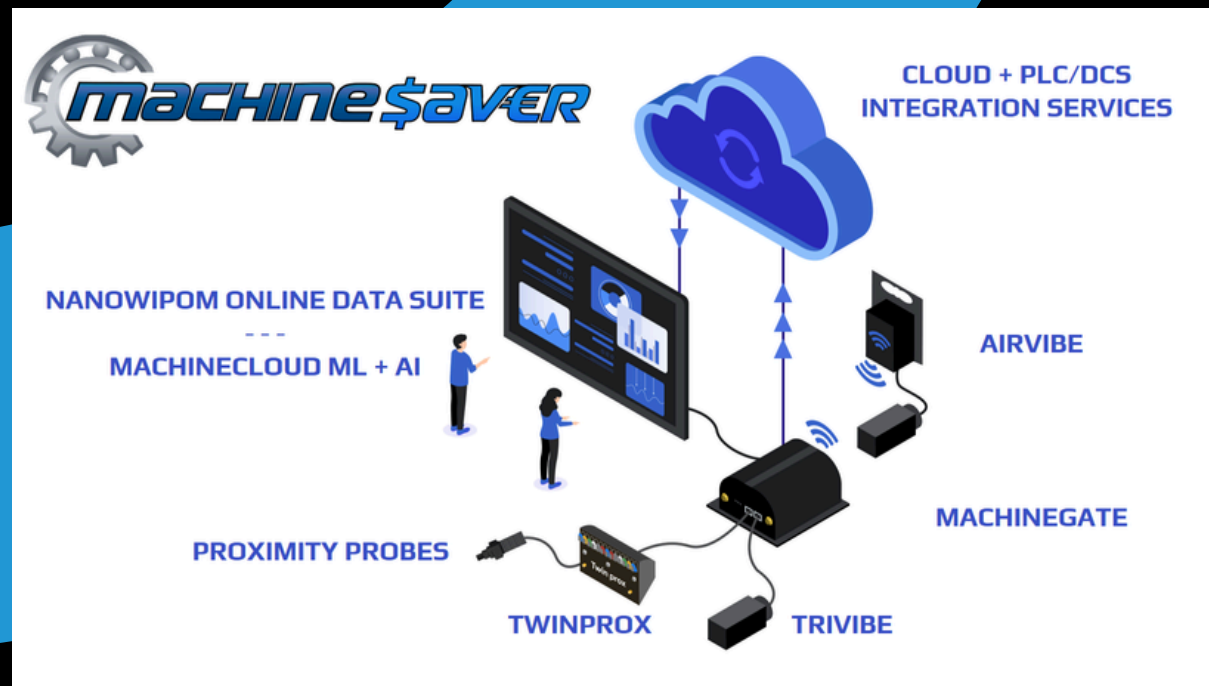


Advanced wireless sensor provides overall and time waveform vibration data and includes a 4+ year battery life. Comes with an integrated open platform that seamlessly integrates to your data management system.



WIRELESS VIBRATION SENSOR



Website: [www.machinesaver.com](http://www.machinesaver.com)

Email: [sales@machinesaver.net](mailto:sales@machinesaver.net)

Phone : +1 (832) 581-9908



# AirVibe solves all the typical issues with other wireless vibration sensors:

- Robust LoRaWAN communications boast long-distance sensors transmitting to the gateway without needing a line of site. (Observed up to 8.5 Km)
- Design enables long battery life (Expected over 4 years)
- Transmits overall data each minute (acceleration, velocity, temperature) as well as frequency data (time waveform) upon request as well as user-customizable periodic push.
- Quick magnet mount with accessories available to ensure no resonance due to installation.
- Sensor-module separated design removes the battery from the heat of the bearing allowing for longer battery life.



Dashboards ▾ Overview Subaccounts Users Devices Assets Tools ▾ Alarms ▾

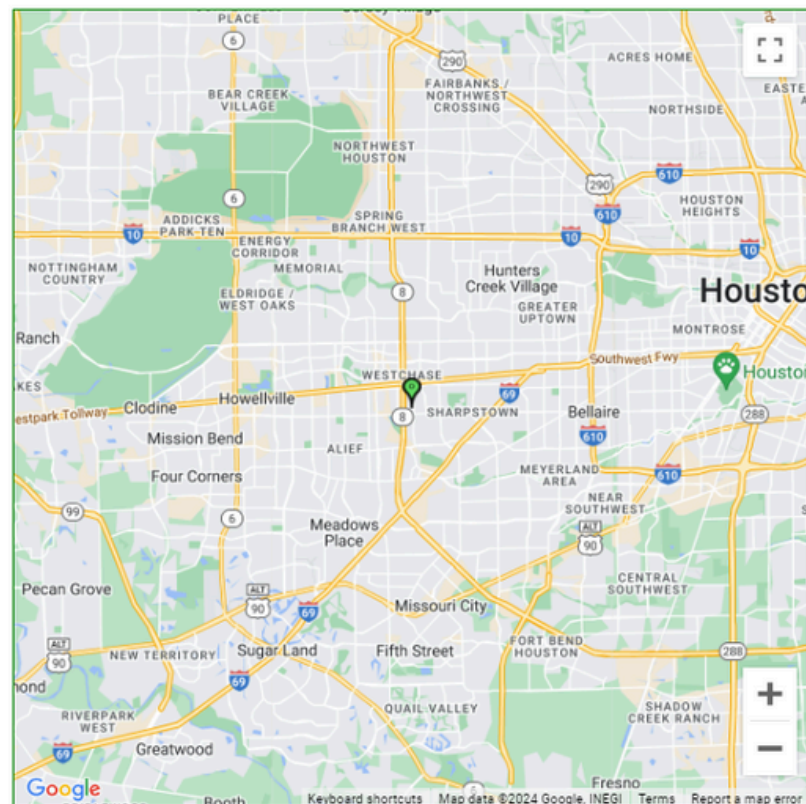
## NanoWipom Web Portal

### Asset Locations

Last Session Time: 13:37:10 02 August 2024

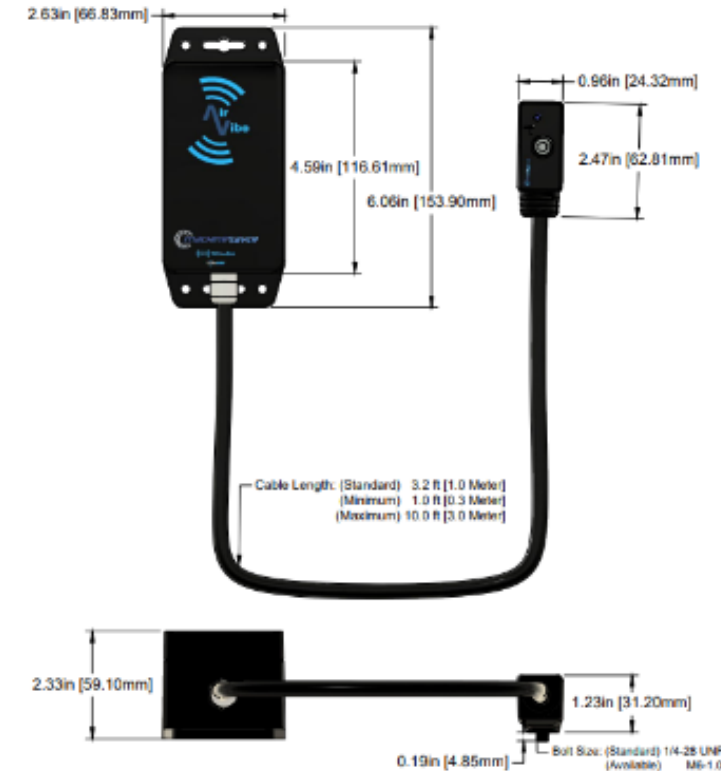
Last GPS Time: 13:37:10 02 August 2024

Map Type: ROADMAP Map Size:  Large  Medium  Small



| # | Asset Name                  | Asset Type | Status | Action |
|---|-----------------------------|------------|--------|--------|
| 1 | Compressor 1                | Pump       | ✓      |        |
|   | Sensor 8C1F642113000012     |            | ✓      |        |
|   | • Velocity Axis 3 (RMS)     |            | ✓      |        |
|   | • Velocity Axis 2 (RMS)     |            | ✓      |        |
|   | • Velocity Axis 1 (RMS)     |            | ✓      |        |
|   | • Acceleration Axis 3 (RMS) |            | ✓      |        |
|   | • Acceleration Axis 2 (RMS) |            | ✓      |        |
|   | • Acceleration Axis 1 (RMS) |            | ✓      |        |
|   | • Supply Voltage            |            | ✓      |        |
|   | • Battery                   |            | ✓      |        |
|   | • Humidity                  |            | ✓      |        |
|   | • Temperature               |            | ✓      |        |
|   | • Acceleration Axis 3       |            | ✓      | ✗      |
|   | • Acceleration Axis 2       |            | ✓      | ✗      |
|   | • Acceleration Axis 1       |            | ✓      | ✗      |
|   | Sensor 8C1F642113000011     |            | ✓      |        |
|   | • Velocity Axis 3 (RMS)     |            | ✓      |        |
|   | • Velocity Axis 2 (RMS)     |            | ✓      |        |
|   | • Velocity Axis 1 (RMS)     |            | ✓      |        |
|   | • Acceleration Axis 3 (RMS) |            | ✓      |        |

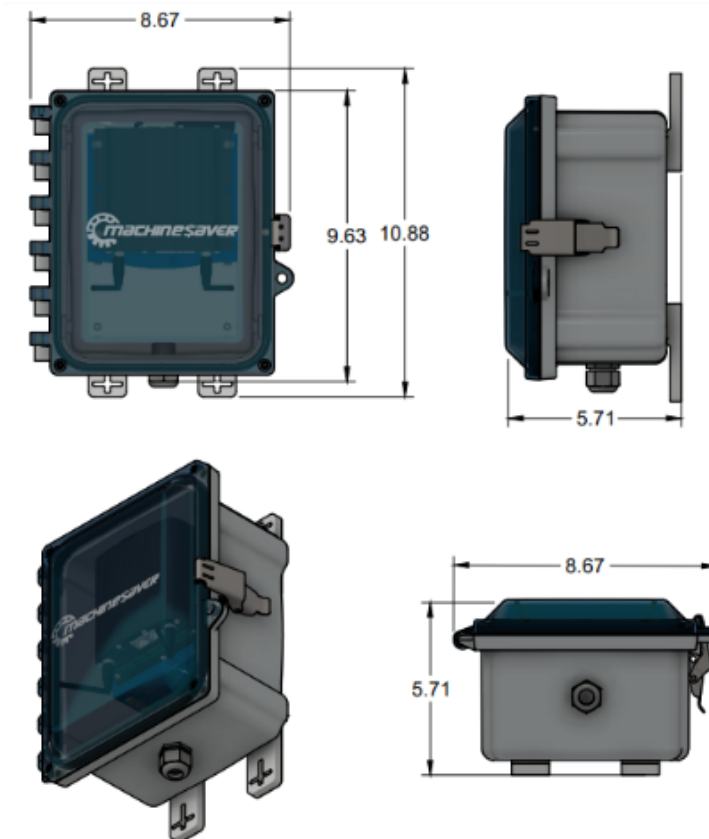
Battery Powered, Wireless sensor with accurate high-resolution dynamic data.



Overall and Time Waveform Data

Line of Sight not needed.

40 Sensors per gateway



SPECIFICATIONS AND USER MANUAL

